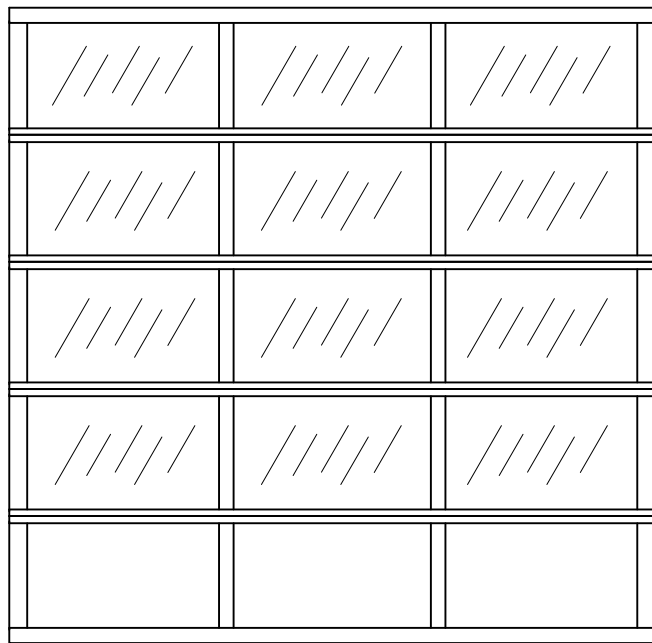
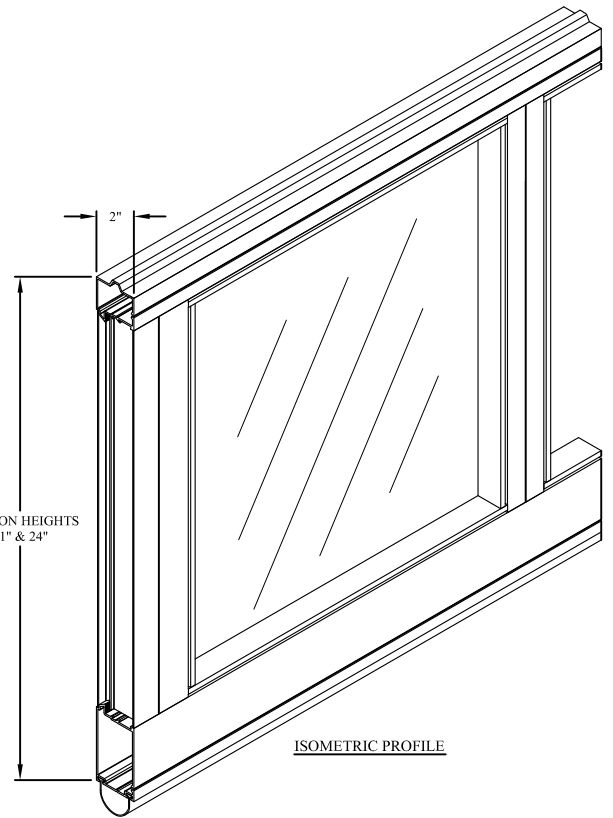
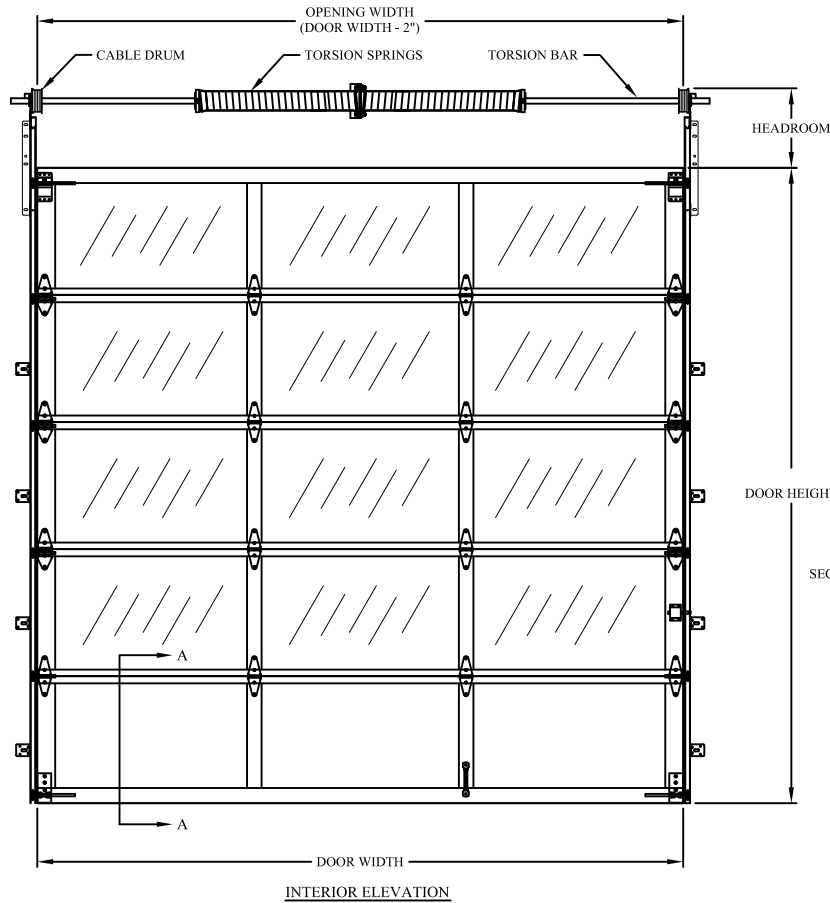


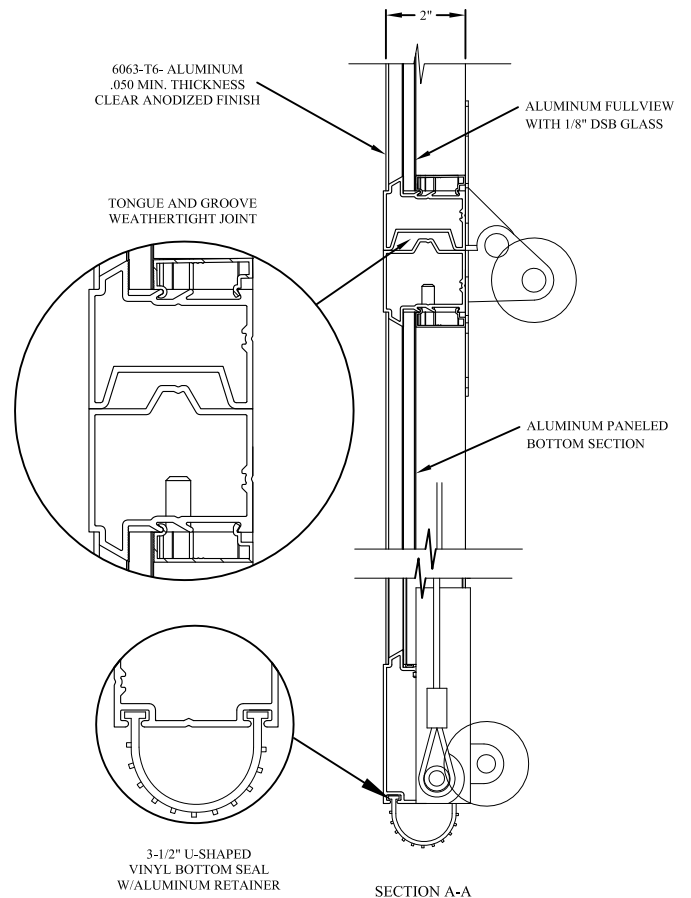
# AMARR 3552

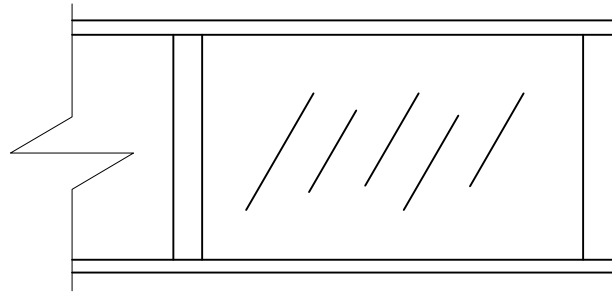
Previously Model 3550

# ENTRE//MATIC



EXTERIOR ELEVATION





ALUMINUM FULLVIEW W/ 1/8" DSB GLASS  
SHOWN

AVAILABLE OPTIONS
1/8" CLEAR ANNEALED GLASS
1/8" TEMPERED GLASS
DOUBLE PANE 1/2" INSULATED CLEAR ANNEALED GLASS
DOUBLE PANE 1/2" INSULATED CLEAR TEMPERED GLASS
.050 ALUMINUM PANEL
CUSTOM OPTIONS AVAILABLE

GLAZING REFERENCE CHART

DOOR WIDTH	MAX WINDOWS	1/8" GLASS AVAILABLE	1/2" GLASS AVAILABLE	ALUMINUM PANEL
8'2"	2	YES	YES	YES
9'2"	2	YES	YES	YES
10'2"	3	YES	YES	YES
11'2"	3	YES	YES	YES
12'2"	3	YES	YES	YES
13'2"	4	YES	YES	YES
14'2"	4	YES	YES	YES
15'2"	4	YES	YES	YES
16'2"	4	YES	YES	YES
17'2"	5	YES	YES	YES
18'2"	5	YES	YES	YES
19'2"	5	YES	YES	YES
20'2"	6	YES	YES	YES
21'2"	6	YES	NO	YES
22'2"	6	YES	NO	YES
23'2"	6	YES	NO	YES
24'2"	6	YES	NO	YES

**NOTE:** CHART ABOVE INDICATES MAXIMUM NUMBER OF  
WINDOWS PER SECTION AND GLASS AVAILABILITY.

Door Height	21" Bottom	21" Intermediate	24" Bottom	24" Intermediate	Door Height	21" Bottom	21" Intermediate	24" Bottom	24" Intermediate
7'0"	1	3			13'0"		4	1	2
7'3"		3	1		13'3"		3	1	3
7'6"		2	1	1	13'6"		2	1	4
7'9"		1	1	2	13'9"		1	1	5
8'0"				4	14'0"			1	6
8'3"	Not Available				14'0"	1	7		
8'6"	Not Available				14'3"		7	1	
8'9"	1	4			14'6"		6	1	1
9'0"		4	1		14'9"		5	1	2
9'3"		3	1	1	15'0"		4	1	3
9'6"		2	1	2	15'3"		3	1	4
9'9"		1	1	3	15'6"		2	1	5
10'0"			1	4	15'9"		1	1	6
10'3"	Not Available				15'9"	1	8		
10'6"	1	5			16'0"			1	7
10'9"		5	1		16'0"		8	1	
11'0"		4	1	1	16'3"		7	1	1
11'3"		3	1	2	16'6"		6	1	2
11'6"		2	1	3	16'9"		5	1	3
11'9"		1	1	4	17'0"		4	1	4
12'0"			1	5	17'3"		2	1	5
12'3"	1	6			17'6"		2	1	6
12'6"		6	1		17'9"		1	1	7
12'9"		5	1	1	18'0"			1	8

SECTION ARRANGEMENT CHART