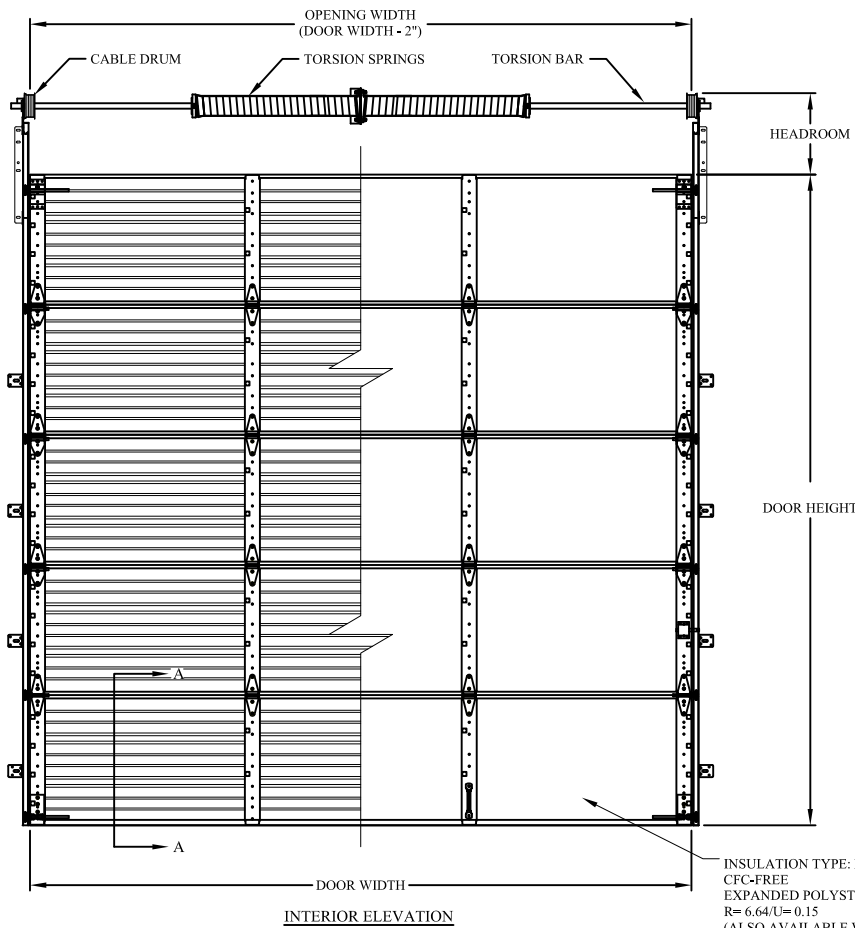


# AMARR 2402/ 2412/ 2422

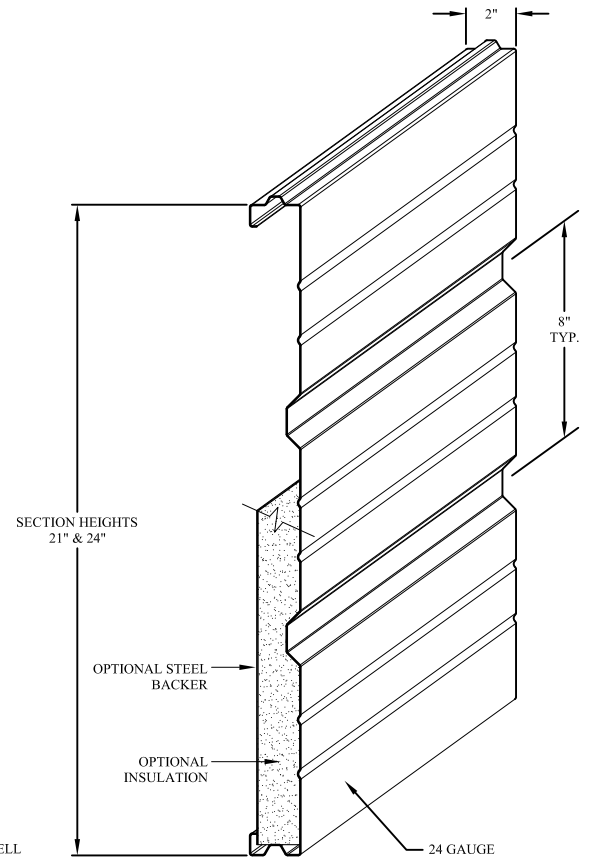
# ENTRE/MATIC

Previously Models 2400/2400i/2400s

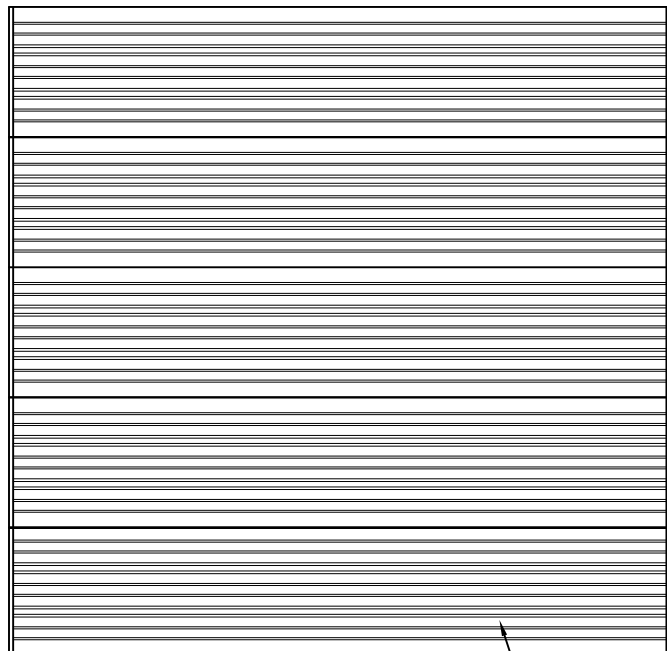


INTERIOR ELEVATION

INSULATION TYPE: HAIRCELL  
CFC-FREE  
EXPANDED POLYSTYRENE  
R= 6.64/U= 0.15  
(ALSO AVAILABLE WITH  
25ga STEEL BACKER)

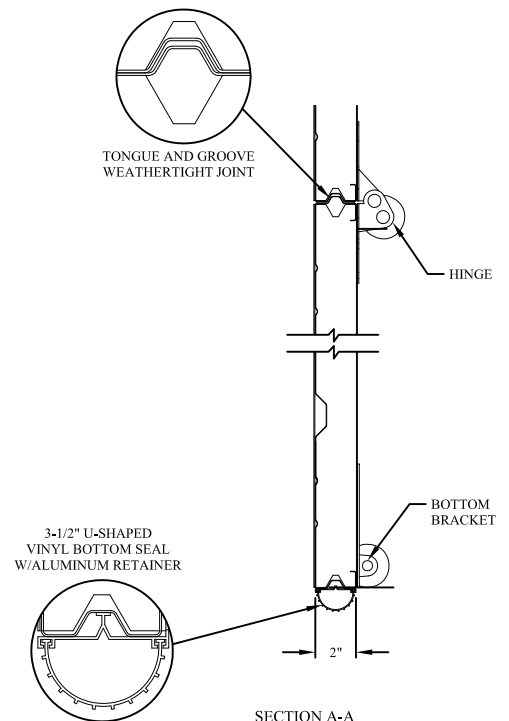


ISOMETRIC PROFILE

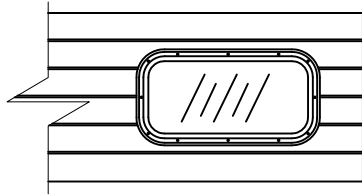


EXTERIOR ELEVATION

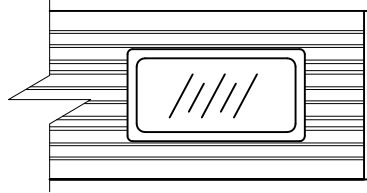
24 GAUGE  
EXTERIOR SKIN



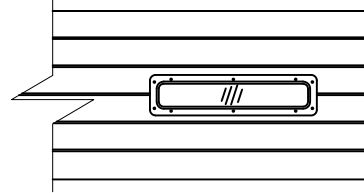
SECTION A-A



26" x 13 1/2" DOUBLE PANE INSULATED PLEXI-GLASS



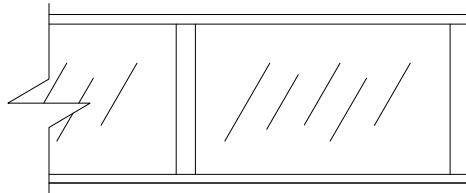
24" x 12" WINDOW W/ NON-INSULATED 1/8" PLEXI-GLASS AND DOUBLE PANE INSULATED PLEXI-GLASS



24" x 6" WINDOW WITH 1/8" PLEXI-GLASS AND DOUBLE PANE INSULATED PLEXI-GLASS

DOOR WIDTH	MAX No. WINDOWS	DOOR WIDTH	MAX No. WINDOWS
8'2"	2	17'2"	5
9'2"	2	18'2"	5
10'2"	3	19'2"	5
11'2"	3	20'2"	6
12'2"	3	21'2"	6
13'2"	4	22'2"	6
14'2"	4	23'2"	6
15'2"	4	24'2"	6
16'2"	4		

NOTE: CHART ABOVE INDICATES MAXIMUM NUMBER OF WINDOWS PER SECTION.



ALUMINUM FULLVIEW SECTION

DOOR WIDTH	DOOR HEIGHTS																	
	7'1"	8'1"	9'1"	10'1"	11'1"	12'1"	13'1"	14'1"	15'1"	16'1"	17'1"	18'1"	19'1"	20'1"	21'1"	22'1"	23'1"	24'1"
8'2" - 12'2"	4	4	5	5	6	6	7	7	8	8	9	9	10	10	11	11	12	12
12'4" - 16'2"	2	2	3	3	4	4	5	5	6	6	7	7	8	8	9	9	10	10
16'4" - 24'2"	2	2	2	2	2	2	2	2	2	2	2	2	2	2	2	2	2	2

NOTE: CHART ABOVE INDICATES MAXIMUM NUMBER OF ALUMINUM FULLVIEW SECTIONS PER DOOR SIZE.

DOOR WIDTH	MAX No. PANELS	DOOR WIDTH	MAX No. PANELS
8'2"	2	17'2"	5
9'2"	2	18'2"	5
10'2"	3	19'2"	5
11'2"	3	20'2"	6
12'2"	3	21'2"	6
13'2"	4	22'2"	6
14'2"	4	23'2"	6
15'2"	4	24'2"	6
16'2"	4		

NOTE: CHART ABOVE INDICATES MAXIMUM NUMBER OF PANELS PER SECTION.

SECTION ARRANGEMENT CHART

Door Height	21" Bottom	21" Intermediate	24" Bottom	24" Intermediate
7'0"	1	3		
7'3"		3	1	
7'6"		2	1	1
7'9"		1	1	2
8'0"				4
8'3"	Not Available			
8'6"	Not Available			
8'9"	1	4		
9'0"		4	1	
9'3"		3	1	1
9'6"		2	1	2
9'9"		1	1	3
10'0"			1	4
10'3"	Not Available			
10'6"	1	5		
10'9"		5	1	
11'0"		4	1	1
11'3"		3	1	2
11'6"		2	1	3
11'9"		1	1	4
12'0"			1	5
12'3"	1	6		
12'6"		6	1	
12'9"		5	1	1
13'0"		4	1	2
13'3"		3	1	3
13'6"		2	1	4
13'9"		1	1	5
14'0"			1	6
14'0"	1	7		
14'3"		7	1	
14'6"		6	1	1
14'9"		5	1	2
15'0"		4	1	3
15'3"		3	1	4
15'6"		2	1	5
15'9"		1	1	6
15'9"	1	8		
16'0"			1	7
16'0"		8	1	
16'3"		7	1	1
16'6"		6	1	2
16'9"		5	1	3
17'0"		4	1	4
17'3"		2	1	5
17'6"		2	1	6
17'9"		1	1	7
18'0"			1	8
18'3"		7	1	2
18'6"		6	1	3
18'9"		5	1	4
19'0"		4	1	5
19'3"		3	1	6
19'6"		2	1	7
19'9"		1	1	8
20'0"			1	9
22'0"			1	10
24'0"			1	11